

Ishida Astra II

Price Computing Scale with Printer



Approvals



Part Number/Price

Part #	Model	Capacity	Est. Weight	Price
185822	Astra II Bench	30 lb × 0.01 lb	25 lb	Consult
185823	Astra II Pole	30 lb × 0.01 lb	25 lb	Consult
190641	Astra II Lite software CD			N/C
190642	Astra II Lite license file (for one computer only not transferable)			Consult

Options/Accessories

Part #	Description	Price
47977	Produce platter (sits on top platter included with scale)	Consult
47976	Fish platter (sits on top platter included with scale)	Consult
47341	Continuous roll thermal journal paper, 64 mm W × 50 m L (for reports only)	Consult
184273*	Technical manual	Consult
184270*	Additional operating manual	Consult
184274*	Additional operation card	Consult
170916	Additional operator keysheet insert	Consult
47732	2.36 × 1.73 in (60 × 44 mm)	Consult
47733	2.52 × 1.85 in (64 × 47 mm)	Consult
47735	2.52 × 2.32 (64 × 59 mm)	Consult
47736	Pre-printed safe handling instructions, 2.52 × 2.32 in (64 × 59 mm)	Consult
47743 ***	Extended text, 2.52 × 3.34 in (64 × 85 mm)	Consult
47745	Pre-printed safe handling instructions on top of label, 2.52 × 3.34 in (64 × 85 mm)	Consult
47753	Blank 2.52 × 1.46 in (64 × 37 mm)	Consult
47754	Blank 2.52 × 1.85 in (64 × 47 mm)	Consult
47762	Non-bar code, 2.52 × 2.32 in (64 × 37 mm)	Consult
105346	Blank 2.52 × 3.34 in (64 × 85 mm)	Consult

Label stock, please consult factory for case quantity pricing. Examples shown on page 915

Labels sold by the case-12 rolls per case.

* Manuals and software programs can be downloaded at no charge from our website at www.ricelake.com

*** Safe handling instructions can also be printed by scale

Standard Features

- 84 one-touch preset keys, 168 presets (assign two items/key)
- Programmable function keys
- Blue alphanumeric LCD display (23 digits, 16 segments)
- Print speed of 3.9 in (100 mm) per second
- Convenient side-loading label feature
- TCP/IP 10/100 Base-T Ethernet
- USB port (for data backup and restore)
- Proportional tare
- Customer display
- NTEP Certified, Legal for Trade

Specifications

Capacity:

30 × 0.01 lb

Weighing Resolution:

3,000 display divisions maximum

Display Types:

LCD, blue alphanumeric (23 digits, 16 segments)

Display Items:

Tare: Four digits
Unit price: Five digits
Total price: Six digits

Preset Keys:

84 one-touch preset keys 168 presets (assign two items/key)

Memory Capacity:

2 MB

Communications:

TCP/IP 10/100 Base-T Ethernet

Platter:

14.5 × 10.5 in (368 × 268 mm)

Printing Speed:

3.9 in (100 mm) per second

Printing:

Direct thermal 2.2 in (56 mm) (448 dot, 8 dot/mm)

Label Size:

Width: 1.5 to 2.5 in (38 to 64 mm) {min}
Length: 1.2 to 6.9 in (30 to 175 mm) {max}

Label Roll:

Inside diameter: 1.6 in (40 mm)
Outside diameter: 3.9 in (100 mm)

Label Backing Paper:

Width: Up to 2.6 in (66 mm)

Power Supply:

AC 100 to 240 V, 50/60 Hz

Power Consumption:

Standby: 50 w
In operation: 100 w

Classification:

NTEP CC 07-005
UL Listed

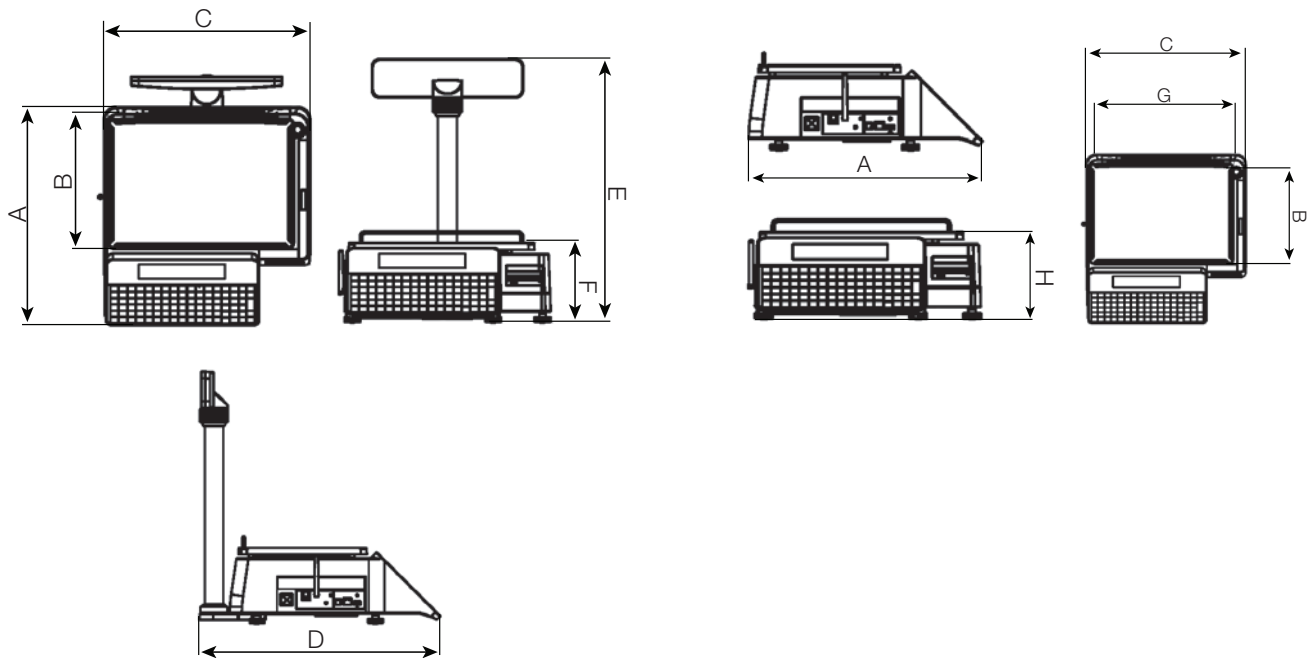
Warranty:

One-year limited

Ishida Astra II

Price Computing Scale with Printer

Dimensions: Bench
Unit
17.2 × 16.1 × 6.3 in (437 × 410 × 159 mm)
Stainless Steel Platter
10.5 × 14.6 in (268 × 370 mm)
Dimensions: Pole
Unit
17.2 × 16.1 × 6.3 in (437 × 410 × 159 mm)
Stainless Steel Platter
10.5 × 14.6 in (268 × 370 mm)
Unit with Pole
19.7 × 16.1 × 20.6 in (500 × 410 × 524 mm)



RETAIL SCALES